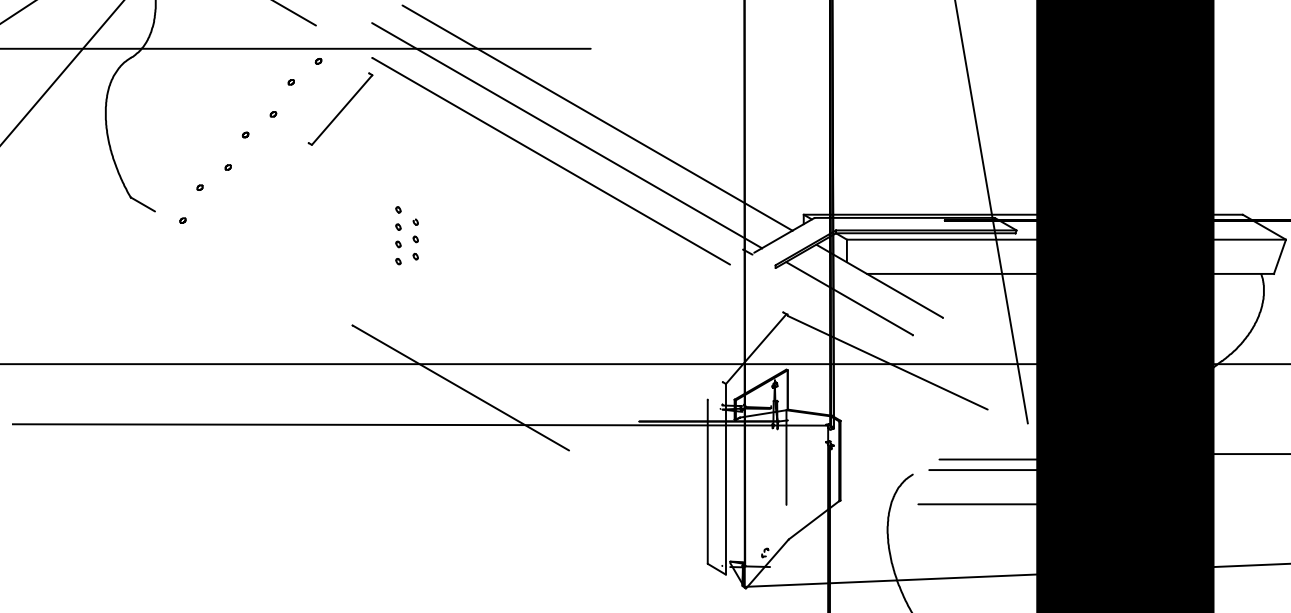
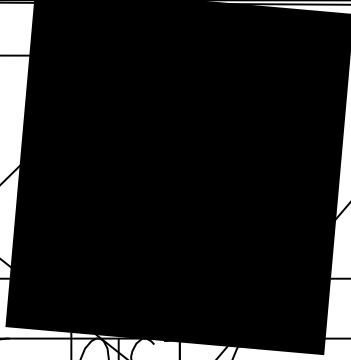


RIDGE-JOIST/C

United S



R2 JOISTS ABOVE RIDGE SUPPORT BEAM

32" x 2'-0" 48L24 AF

R3

o or 23/32"
48/24 APA Rated Sheathing as continuous
cl

Beveled bearing
variable slope connector

R4

Be

/

.

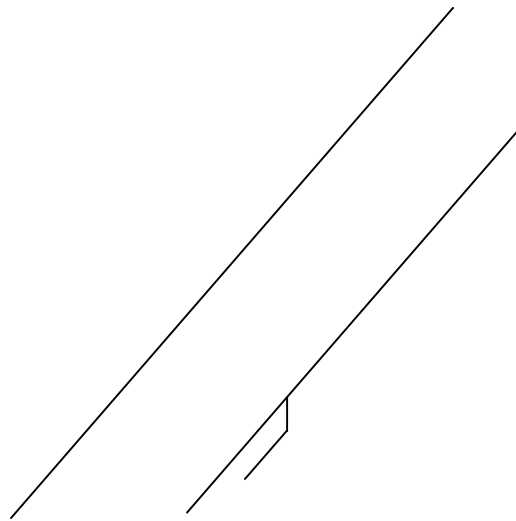
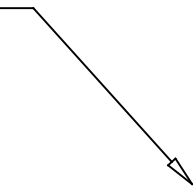
o

eve

BIRDSMOUTH

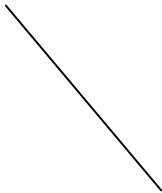
to top flanges and to plate. g attached

2x4 block to
attach fascia



Provide ventilat

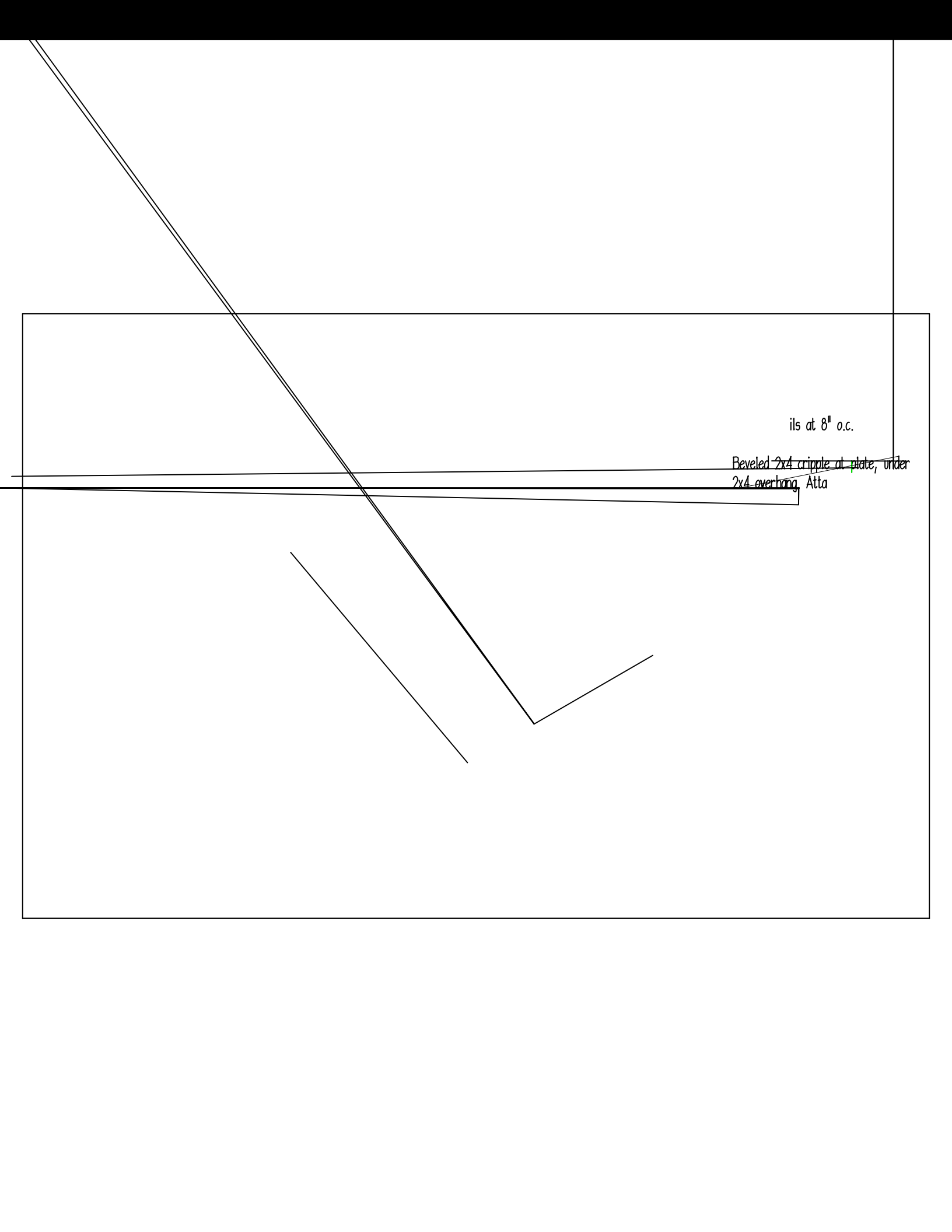
s with slope
of 3/12 and greater.





ils at 8" o.c.

Beveled 2x4 cripple at plate, under
2x4 overhang, Atta



Gable

